

N82S140, N82S141 – 4096 Bit Field Programmable Prom (512 x 8)

CONNECTION DIAGRAM

GENERAL DESCRIPTION

The 82S140 and 82S141 are field programmable. The standard 82S140 and 82S141 are supplied with all outputs at logical low. Outputs are programmed to a logic high level at any specified address by fusing a Ni-Cr link matrix.

These devices include on-chip decoding and 4 chip enables input for ease of memory expansion. They feature either open collector or tri-state outputs for optimization of word expansion in bused organizations.

Both 82S140 and 82S141 devices are available in the commercial and military temperature ranges. For the commercial temperature range (0°C to +75°C) specify N82S140/141, F and for the military temperature range (-55°C to +125°C) specify S82S140/141, F.

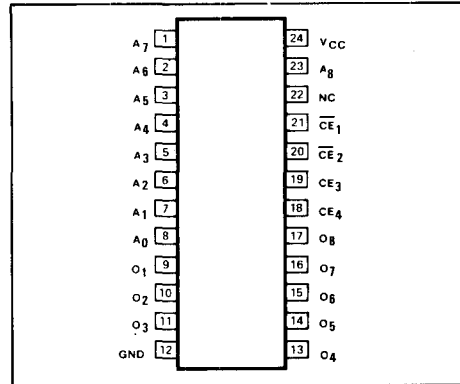
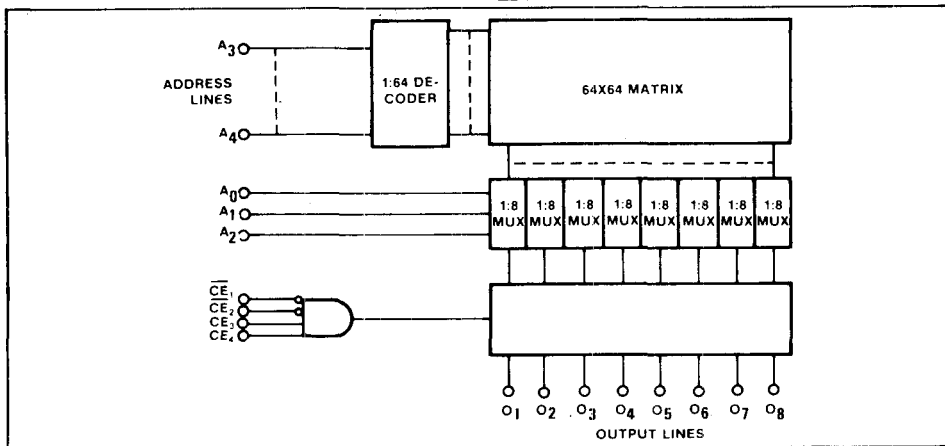
FEATURES

- Address access time:
N82S140/141: 60ns max
S82S140/141: 90ns max
- Power dissipation: .17mW/bit typ
- Input loading:
N82S140/141: -100µA max
S82S140/141: -150µA max
- On-chip address decoding
- Output options:
S82S140: Open collector
S82S141: Tri-state
- No separate fusing pins
- Unprogrammed outputs are low level
- Fully TTL compatible

APPLICATIONS

- Prototyping/volume production
- Sequential controllers
- Microprogramming
- Hardwired algorithms
- Control store
- Random logic
- Code conversion

BLOCK DIAGRAM



MAXIMUM RATINGS

PARAMETER	RATING	UNIT
V _{CC} Supply voltage	+7	Vdc
V _{IN} Input voltage	+5.5	Vdc
Output voltage		Vdc
V _{OH} High (82S140)	+5.5	
V _O Off-state (82S141)	+5.5	
Temperature range		°C
T _A Operating	0 to +75	
	-55 to +125	
T _{STG} Storage	-65 to +150	

REFERENCE TABLE

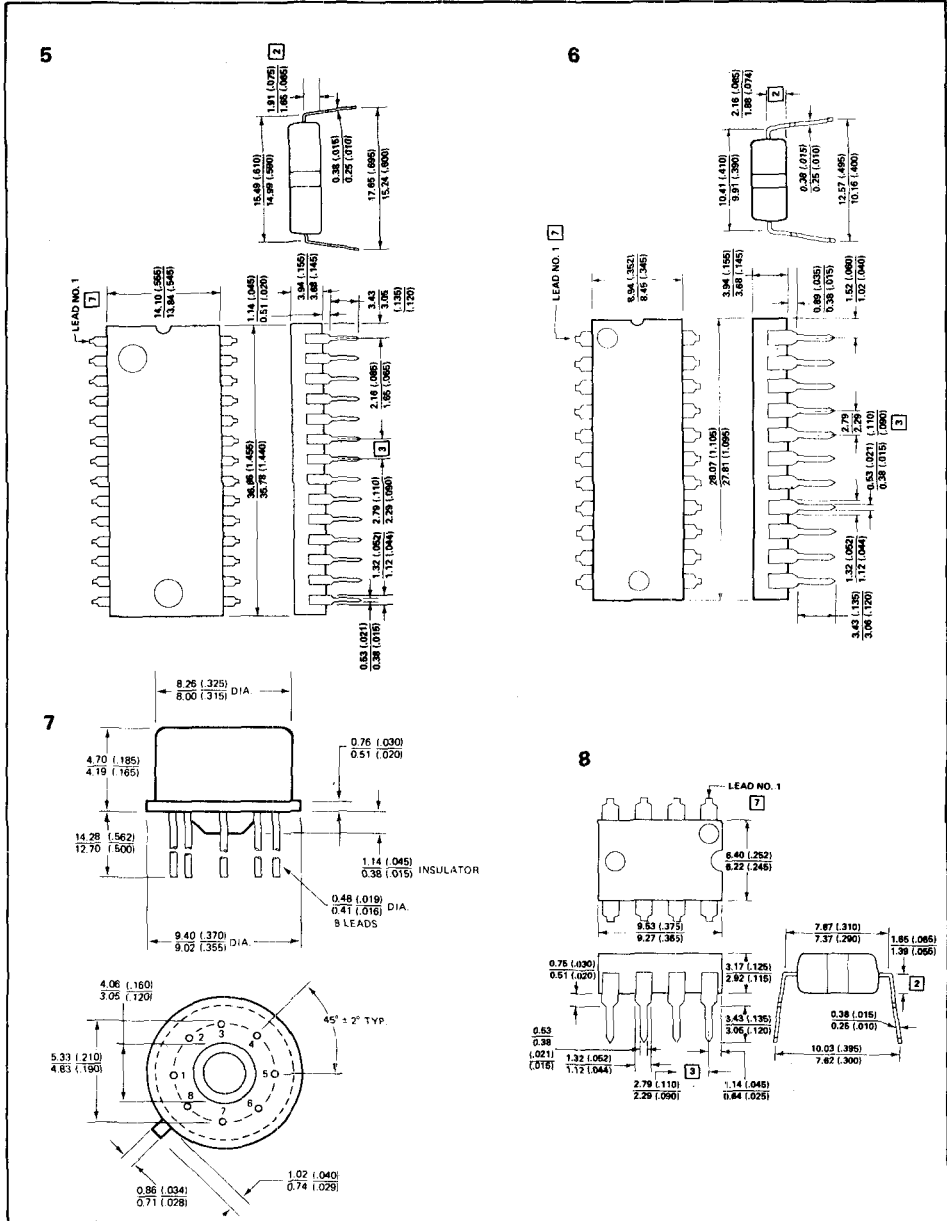
TYPE NO.	STOCK NO.	OUTLINE DRWG. NO.
N82S140F	56313G	3
N82S141F	56314E	3

PLEASE QUOTE STOCK NO. AND MANUFACTURERS PART NO. WHEN ORDERING



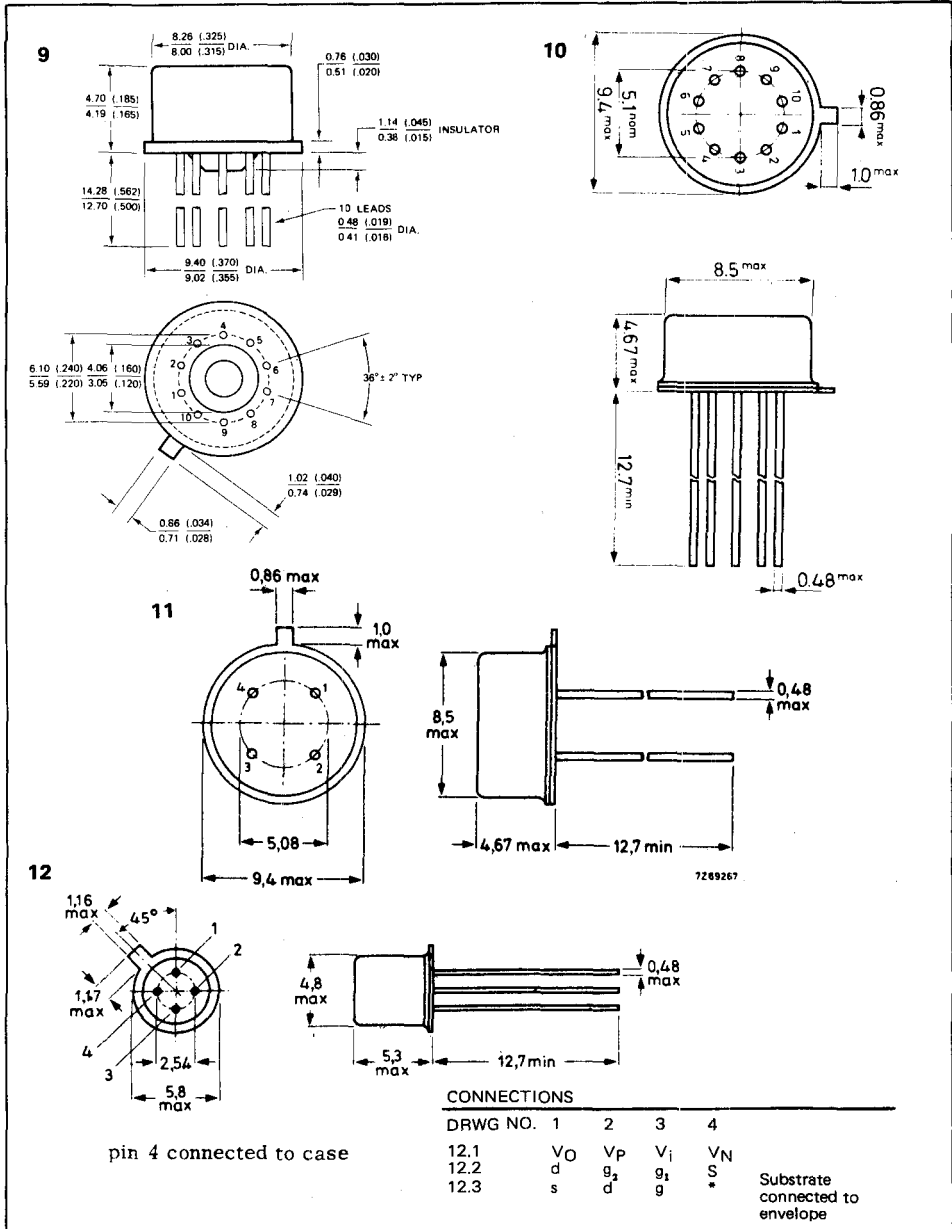
Signetics

Outline Drawings



TTT GEMINI

FOR CURRENT PRICES PHONE
HARLOW (0279) 29644

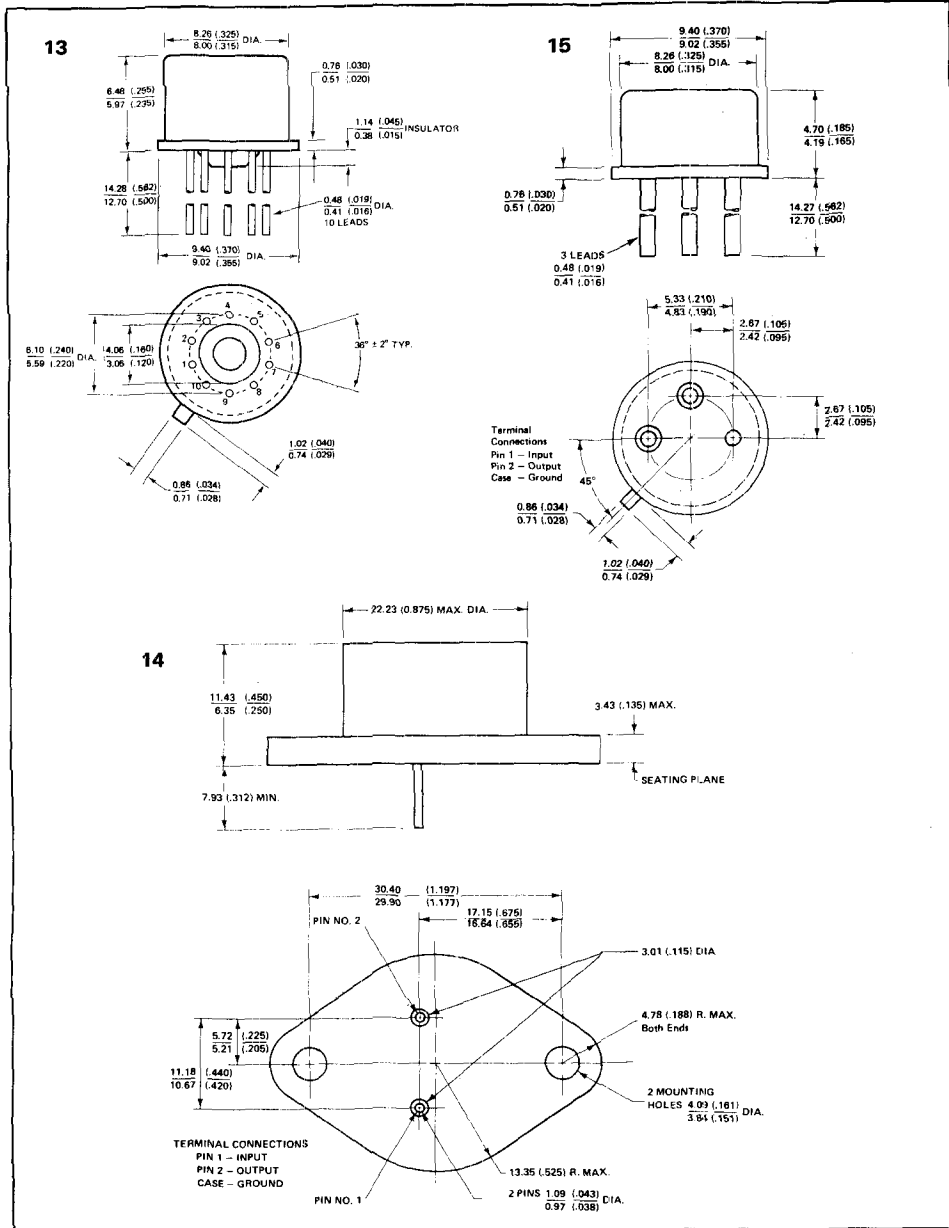


PLEASE QUOTE STOCK NO.
AND MANUFACTURERS PART NO. WHEN ORDERING

ITT GEMINI

Signetics

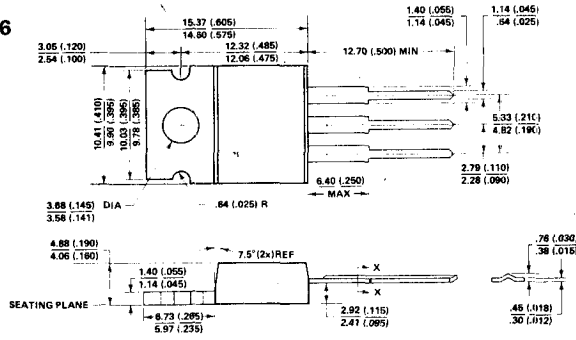
Outline Drawings



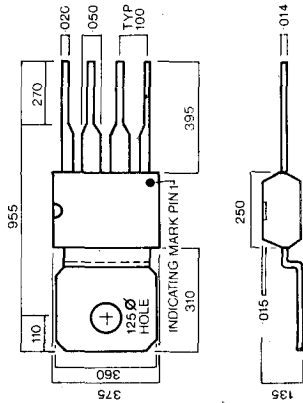
ITT GEMINI

FOR CURRENT PRICES PHONE
HARLOW (0279) 29644

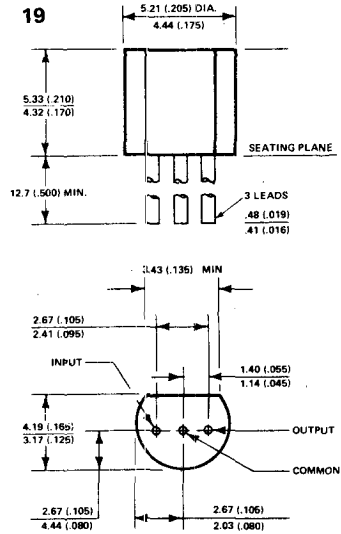
16



17



19



PLEASE QUOTE STOCK NO.
AND MANUFACTURER PART NO. WHEN ORDERING

TTT GEMINI

