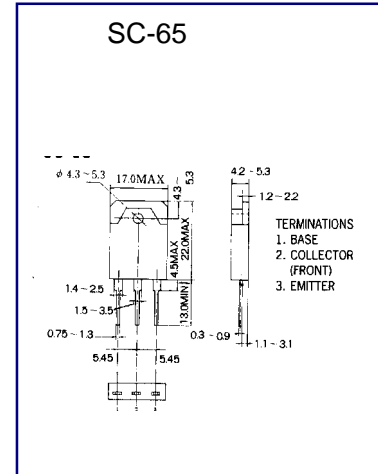




BU426A

NPN SILICON TRANSISTOR

**SWITCHING REGULATORS PWM INVERTERS
SOLENOID AND RELAY DRIVERS**



ABSOLUTE MAXIMUM RATINGS (Ta=25°C)

Characteristic	Symbol	Rating	Unit
Collector-Base Voltage	VCBO	900	V
Collector-Emitter Voltage	VCEO	450	V
Collector Current (DC)	IC	8	A
Collector Dissipation (Tc=25°C)	PC	70	W
Junction Temperature	Tj	150	°C
Storage Temperature	Tstg	-50~150	°C

ELECTRICAL CHARACTERISTICS (Ta=25°C)

Characteristic	Symbol	Test Condition	Min	Typ	Max	Unit
Collector Cutoff Current	ICBO	VCB= 800V , IE=0			10	μA
Collector Cutoff Current	ICEO	VCB=450V , IB=0			10	μA
DC Current Gain	hFE	VCE=5V , IC=0.6A	60			
Collector- Emitter Saturation Voltage	VCE(sat)	IC=3A , IB=0.3A			2.5	V

This datasheet has been download from:

www.datasheetcatalog.com

Datasheets for electronics components.